

D6-7-660-100

Key features

Visible Light $\lambda = 660\text{nm}$
Output Power = 100mW
Package Type= 5.6mm Φ

Applications

Laser Pointer & General Purpose Red Laser Light Source
Bar Code Reader & High Precision Measuring Instruments
Laser Module & High Precision Engineering Instruments

Electrical and Optical Characteristics at $T_c = -25^\circ\text{C}$

Item	Symbols	Min.	Typ.	Max.	Unit	Condition
Optical Output Power	Po	-	-	100	mW	-
Threshold Current	Ith	-	65	-	mA	Po=100mW
Operating Current	Iop	-	150	-	mA	Po=100mW
Differential Efficiency	SE	-	0.95	-	mW/mA	Po=100mW
Operating Voltage	Vop	-	2.6	3	V	Po=100mW
Peak Wavelength	λ_p	653	658	663	nm	Po=100mW
Beam Divergence	$\theta_{//}$	-	9.5	-	deg	Po=100mW
	θ_{\perp}	-	20	-	deg	Po=100mW
Beam Deviation Angle	$\Delta\theta_{//}$	-3	-	3	deg	Po=100mW
	$\Delta\theta_{\perp}$	-3	-	3	deg	Po=100mW

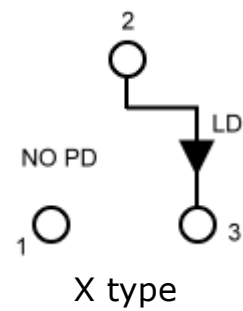
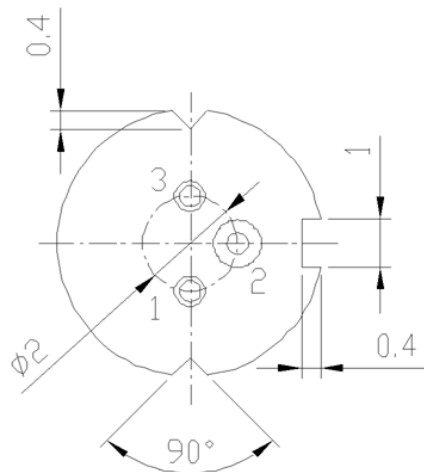
EGISMOS Red Laser Diode

Absolute Maximum Rating at Tc=25°C

Items	Symbols	Values	Unit
Optical Output Power	Po(CW)	100	mW
Laser Diode Reverse Voltage	V	2	V
Operating Temperature	To	-10~+75	°C
Storage Temperature	Ts	-40~+100	°C

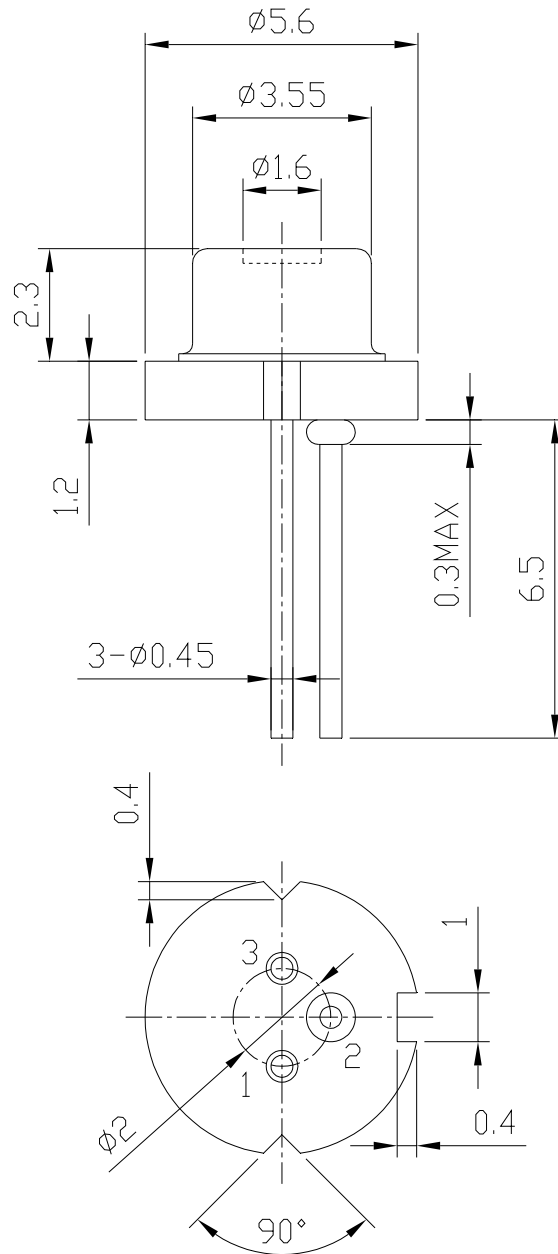
Electrical Connection

Package Type



EGISMOS Red Laser Diode

Package Drawing



D67660100-a

EGISMOS

www.egismos.com
TEL: +1-360-389-3347
FAX: +1-360-326-7275
sales@Egismos.com